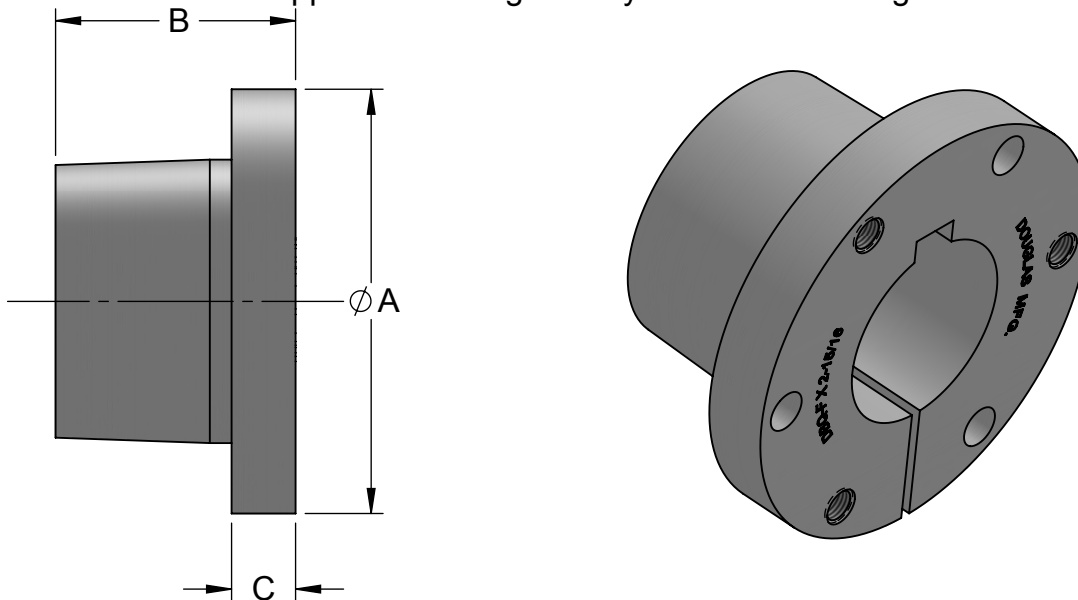


## DOUGLAS QD STYLE BUSHING STANDARD

Douglas XT Style Bushings provide a gradual 3/4" per foot taper and offer superior holding power for conveyor pulleys.

They provide a tighter shaft grip compared to other bushing types.

As the bore increases in diameter a shallow keyseat is provided. When this occurs Douglas supplies a rectangular key to suit at no charge.



BUSHING	A	B	C	CAP SCREW
DBQ-SH	2-11/16	1-1/4	3/8	(3) Ø1/4 X 1-3/8
DBQ-SDS	3-1/16	1-5/16	7/16	(3) Ø1/4 X 1-3/8
DBQ-SK	3-7/8	1-7/8	1/2	(3) Ø5/16 X 2
DBQ-SF	4-5/8	2	1/2	(3) Ø3/8 X 2
DBQ-E	6	2-5/8	3/4	(3) Ø1/2 X 2-3/4
DBQ-F	6-5/8	3-5/8	13/16	(3) Ø9/16 X 3-5/8
DBQ-JS	7-1/4	3-3/8	1	(3) Ø5/8 X 2-1/2
DBQ-MS	9-1/8	4-13/16	1-3/16	(4) Ø3/4 X 3
DBQ-NS	10	6	1-1/2	(4) Ø7/8 X 3-1/2
DBQ-PS	11-3/4	6-1/2	1-1/2	(4) Ø1 X 4
DBQ-WS	15	7-1/4	1-3/4	(4) Ø1-1/8 X 5

(SEE NEXT PAGE FOR STANDARD BORE SIZES)

## DOUGLAS QD STYLE BUSHING STANDARD (CONT'D.)

BUSHING	BORE	BUSHING KEYWAY	SHAFT KEYWAY	*WEIGHT
DBQ-SH	1/2 – 9/16	1/8 - 1/16	1/8 - 1/16	1.1
	5/8 – 7/8	3/16 X 3/32	3/16 X 3/32	1.1
	15/16 – 1-1/4	1/4 X 1/8	1/4 X 1/8	1.1
	1-5/16 – 1-3/8	5/16 X 5/32	5/16 X 5/32	1.1
	1-7/16 – 1-5/8▲	3/8 X 1/16	3/8 X 3/16	1.1
DBQ-SDS	1/2 – 9/16	1/8 - 1/16	1/8 - 1/16	3.6
	5/8 – 7/8	3/16 X 3/32	3/16 X 3/32	3.6
	15/16 – 1-1/4	1/4 X 1/8	1/4 X 1/8	3.6
	1-5/16 – 1-3/8	5/16 X 5/32	5/16 X 5/32	3.6
	1-7/16 – 1-11/16	3/8 X 3/16	3/8 X 3/16	3.6
	1-3/4▲	3/8 X 1/8	3/8 X 3/16	3.6
DBQ-SK	1-13/16▲	1/2 X 1/16	1/2 X 1/4	3.6
	1/2 – 9/16	1/8 X 1/16	1/8 X 1/16	3.6
	5/8 – 7/8	3/16 X 3/32	3/16 X 3/32	3.6
	15/16 – 1-1/4	1/4 X 1/8	1/4 X 1/8	3.6
	1-5/16 – 1-3/8	5/16 X 5/32	5/16 X 5/32	3.6
	1-7/16 – 1-3/4	3/8 X 3/16	3/8 X 3/16	3.6
	1-13/16 – 2-1/8	1/2 X 1/4	1/2 X 1/4	3.6
2-3/16 – 2-1/4▲	1/2 X 1/8	1/2 X 1/4	3.6	
DBQ-SF	2-7/16 – 2-1/2▲	1/2 X 1/16	1/2 X 1/4	3.6
	1/2 – 9/16	1/8 X 1/16	1/8 X 1/16	4
	5/8 – 7/8	3/16 X 3/32	3/16 X 3/32	4
	15/16 – 1-1/4	1/4 X 1/8	1/4 X 1/8	4
	1-5/16 – 1-3/8	5/16 X 5/32	5/16 X 5/32	4
	1-7/16 – 1-3/4	3/8 X 3/16	3/8 X 3/16	4
	1-13/16 – 2-1/4	1/2 X 1/4	1/2 X 1/4	4
	2-5/16▲	5/8 X 5/16	5/8 X 5/16	4
DBQ-E	2-3/8 – 2-1/2▲	5/8 X 3/16	5/8 X 5/16	4
	1 – 1-3/8	5/16 X 5/32	5/16 X 5/32	8.7
	1-7/16 – 1-3/4	3/8 X 3/16	3/8 X 3/16	8.7
	1-13/16 – 2-1/4	1/2 X 1/4	1/2 X 1/4	8.7
	2-5/16 – 2-3/4	5/8 X 5/16	5/8 X 5/16	8.7
	2-13/16 – 2-7/8	3/4 X 3/8	3/4 X 3/8	8.7
DBQ-F	2-15/16▲	3/4 X 1/8	3/4 X 3/8	13
	1-13/16 – 2-1/4	1/2 X 1/4	1/2 X 1/4	13
	2-5/16 – 2-3/4	5/8 X 5/16	5/8 X 5/16	13
	2-13/16 – 3-1/4	3/4 X 3/8	3/4 X 3/8	13
DBQ-JS	3-5/16 – 3-7/16▲	7/8 X 3/16	7/8 X 7/16	13
	2-13/16 – 3-1/4	3/4 X 3/8	3/4 X 3/8	17.8
	3-5/16 – 3-3/4	7/8 X 7/16	7/8 X 7/16	17.8
	3-13/16▲	1 X 1/8	1 X 1/2	17.8
DBQ-MS	3-7/8 – 4▲	1 X 1/8	1 X 1/2	17.8
	2-13/16 – 3-1/4	3/4 X 3/8	3/4 X 3/8	44.2
	3-5/16 – 3-3/4	7/8 X 7/16	7/8 X 7/16	44.2
	3-13/16 – 4-9/16	1 X 1/2	1 X 1/2	44.2
DBQ-NS	4-11/16 – 4-3/4	1-1/4 X 5/8	1-1/4 X 5/8	44.2
	3-5/16 – 3-3/4	7/8 X 7/16	7/8 X 7/16	52.7
	3-13/16 – 4-1/2	1 X 1/2	1 X 1/2	52.7
DBQ-PS	4-3/4 – 5-1/2	1-1/4 X 5/8	1-1/4 X 5/8	52.7
	3-15/16 – 4-1/2	1 X 1/2	1 X 1/2	84.1
	4-3/4 – 5-1/2	1-1/4 X 5/8	1-1/4 X 5/8	84.1
DBQ-WS	5-15/16▲	1-1/2 X 3/4	1-1/2 X 3/4	84.1
	5-3/4 – 6-1/2	1-1/2 X 3/4	1-1/2 X 3/4	183
	7 – 7-1/2	1-3/4 X 3/4	1-3/4 X 3/4	183
	8▲	2 X 1/4	2 X 3/4	183

\* WEIGHT VARIES BY BORE DIAMETER  
 ▲ KEY PROVIDED ONLY FOR THESE BORE SIZES  
 METRIC BORES AVAILABLE BY REQUEST