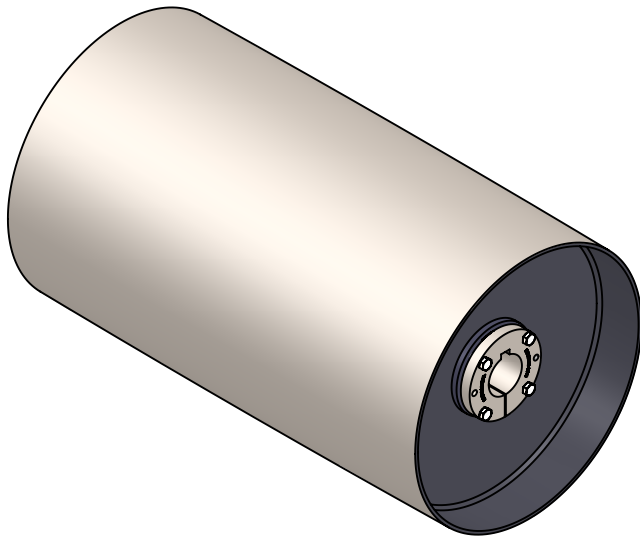


PERMANENT MAGNETIC CONVEYOR PULLEYS

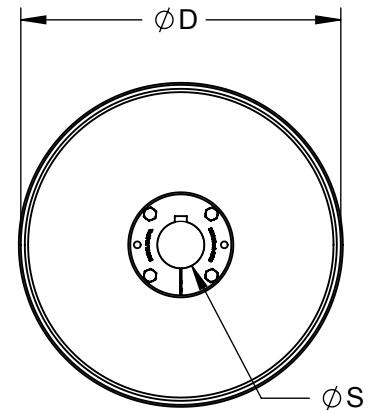
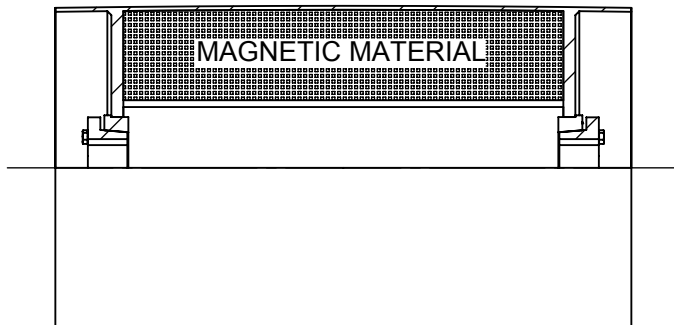


Options:

- » Hubs and bushings interchangeable with QD or XT style are available.
- » Hot vulcanized lagging (may decrease magnetic field strength up to 30%).
- » Douglas keyless locking assemblies

Construction:

- » Stainless steel rim is standard on all permanent magnetic pulleys.
- » Crowned face is furnished standard, flat face must be specified.
- » Douglas hubs feature full depth welds on the inside and outside of the pulley end disk, decreasing the likelihood of end disk failure due to shaft deflection and shock loads.



PULLEY DIAMETER "D"	PULLEY RPM	BELT SPEED FPM	PRODUCT BURDEN DEPTH	RECOMMENDED SHAFT DIAMETER "S"
8	40	84	2"	2-3/16"
10	40	105	2-1/2"	2-7/16"
12	40	126	2-1/2"	2-7/16"
14	40	146	3"	2-15/16"
16	40	167	3"	2-15/16"
18	40	189	3-1/2"	2-15/16"
20	40	210	4"	2-15/16"
24	40	251	5"	2-15/16"
30	40	314	6"	3-7/16"

All dimensions and specifications subject to change without notice.
 Certified dimensions and specifications of ordered material available on request.
 Copyright © 2015, Douglas Manufacturing Co., Inc. All rights reserved.