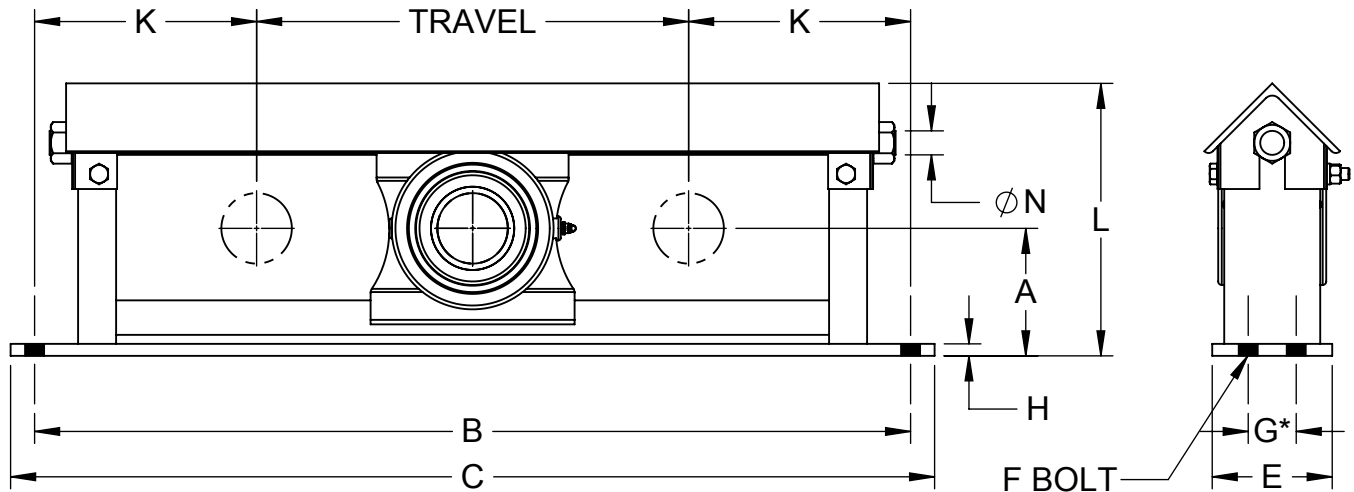


Top Angle Protected Screw Take-Up Dimensions

Dodge bearing units are standard. Other bearing brands are available by request.



* Models 200-207 have one mounting bolt on each end of the frame.

MODEL	TRAVEL	BORE	MODEL NO.	A	B	C	E	F	G	H	K	L	N	WT
200	12	1-15/16	TAF-200-12D	3-13/16	26-1/2	28-1/2	4	5/8	*	3/8	7-1/4	8-1/4	3/4	56
	18		TAF-200-18D		32-1/2	34-1/2								63
	24		TAF-200-24D		38-1/2	40-1/2								70
	30		TAF-200-30D		44-1/2	46-1/2								77
	36		TAF-200-36D		50-1/2	54-1/2								84
203	12	2-3/16	TAF-203-12D	4-1/8	27-1/2	29-1/2	3-1/2	5/8	*	3/8	7-3/4	9	3/4	60
	18		TAF-203-18D		33-1/2	35-1/2								67
	24		TAF-203-24D		39-1/2	41-1/2								74
	30		TAF-203-30D		45-1/2	47-1/2								81
	36		TAF-203-36D		51-1/2	53-1/2								88
207	12	2-7/16	TAF-207-12D	4-1/2	27-1/2	30-1/2	4	3/4	*	1/2	7-3/4	10-3/8	1	80
	18		TAF-207-18D		33-1/2	36-1/2								87
	24		TAF-207-24D		39-1/2	42-1/2								94
	30		TAF-207-30D		44-1/2	48-1/2								101
	36		TAF-207-36D		51-1/2	54-1/2								108
300	12	2-15/16	TAF-300-12D	5-7/16	30-1/2	32-1/2	5	3/4	2	1/2	9-1/4	11-3/8	1	80
	18		TAF-300-18D		36-1/2	38-1/2								87
	24		TAF-300-24D		42-1/2	44-1/2								94
	30		TAF-300-30D		48-1/2	50-1/2								101
	36		TAF-300-36D		54-1/2	56-1/2								108
307	12	3-7/16	TAF-307-12D	5-9/16	32	34-1/4	5	3/4	2	1/2	10	12-3/8	1-1/4	122
	18		TAF-307-18D		38	40-1/4								125
	24		TAF-307-24D		44	46-1/4								133
	30		TAF-307-30D		50	52-1/4								141
	36		TAF-307-36D		56	58-1/4								149
400	12	3-15/16	TAF-400-12D	6-3/8	36	38-1/2	5-1/2	3/4	2-1/2	1/2	12	13-15/16	1-1/4	188
	18		TAF-400-18D		42	44-1/2								200
	24		TAF-400-24D		48	50-1/2								212
	30		TAF-400-30D		54	56-1/2								224
	36		TAF-400-36D		60	62-1/2								236