

IMPACT BEDS AND BARS



Douglas Impact Beds are engineered to protect the conveyor belt at key transfer point areas. They help to keep material on the belt where it belongs. Impact beds help to absorb shock loads and support the full width of the conveyor belt. They help to eliminate the cost of idler maintenance and failure. No more bent idler shafts and frames, or worn out rollers to replace.



IMPACT BEDS AND BARS

Titan™ Adjustable Impact Bed Assembly (IBA)

- Adjustable wing height easily changes from flat, 20° or 35° as needed
- Support arms adjustable from flat to 20° and 35°
- Easy installation, fold one side flat and slide under the belt
- 48" and 60" long beds and bars available
- Center impact rolls available (IRB)

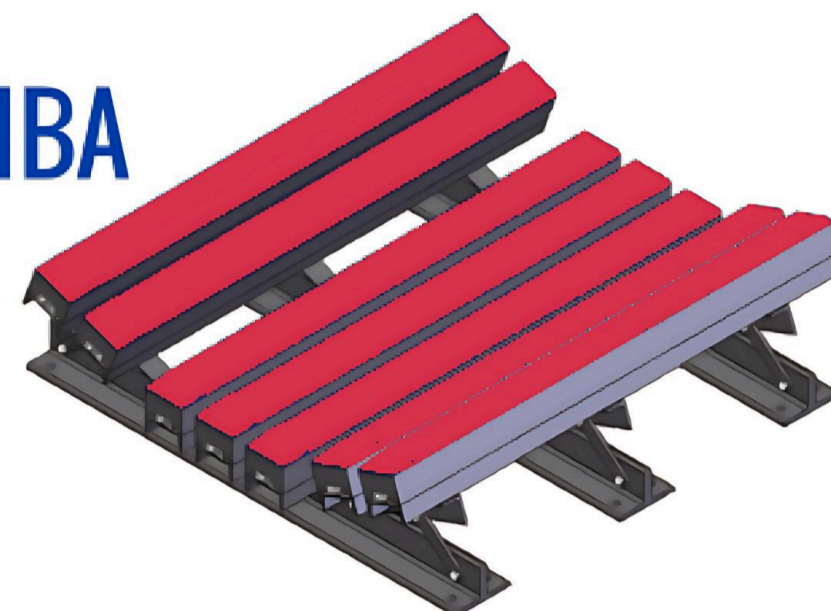
Titan™ Sectional Impact Bed Assembly (ISE)

- Reduce down-time with 3 easily removable sections while the conveyor belt is in place
- Fixed angles of 20°, 35° or 45° (specify at time of order)
- Removable sections allow simple bar replacement
- Sections allow for ease of installation in tight or out of the way applications
- 48" and 60" long beds and bars available
- Center impact rolls available (ISR)

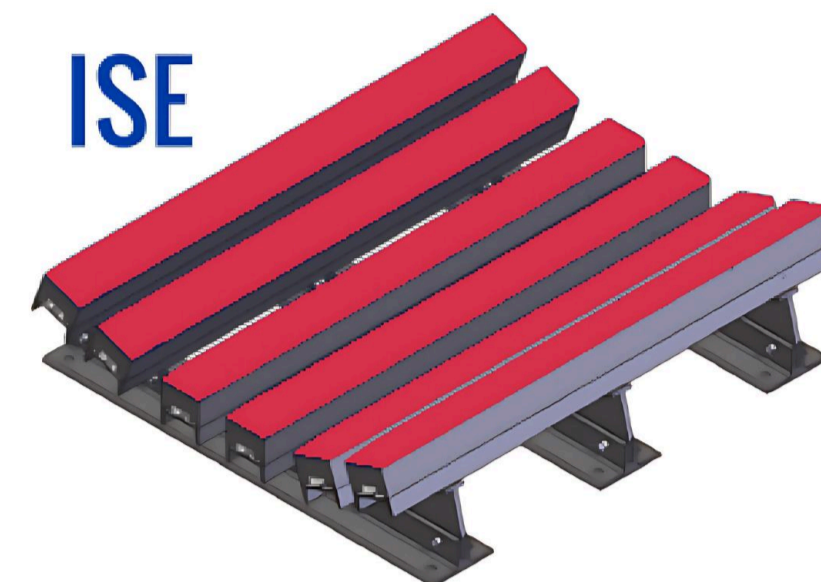
Impact Bed Bars (IBB) & T-Bolts (ITB)

- Replacement Impact Bars mount using field proven T-Bolt locking system
- Profiled leading edge helps increase service life of bars
- Anodized aluminum insert helps to prevent corrosion and ensure simple bar replacement
- Easily retrofits to many other manufacturer's impact bed assemblies
- 48" and 60" long bars available

IBA



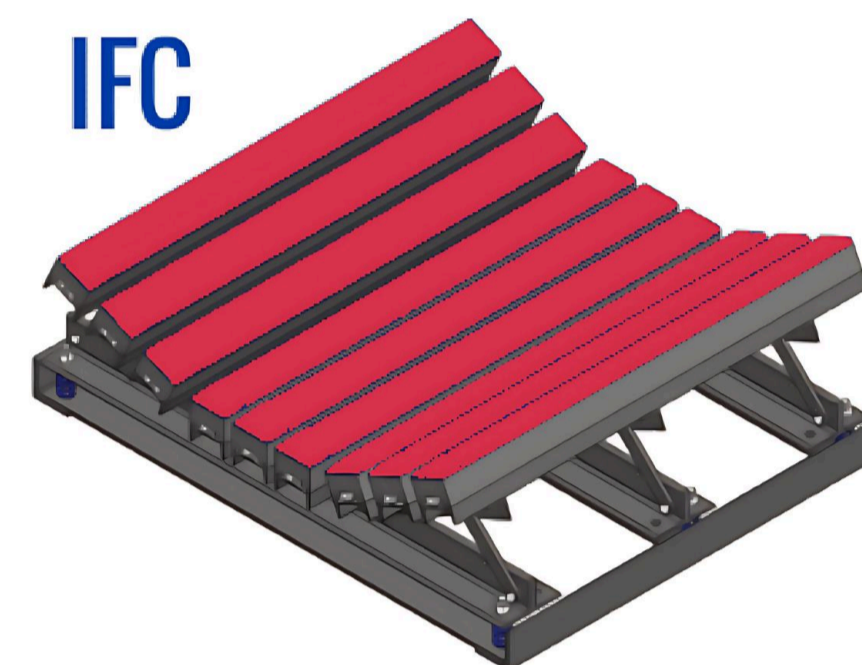
ISE



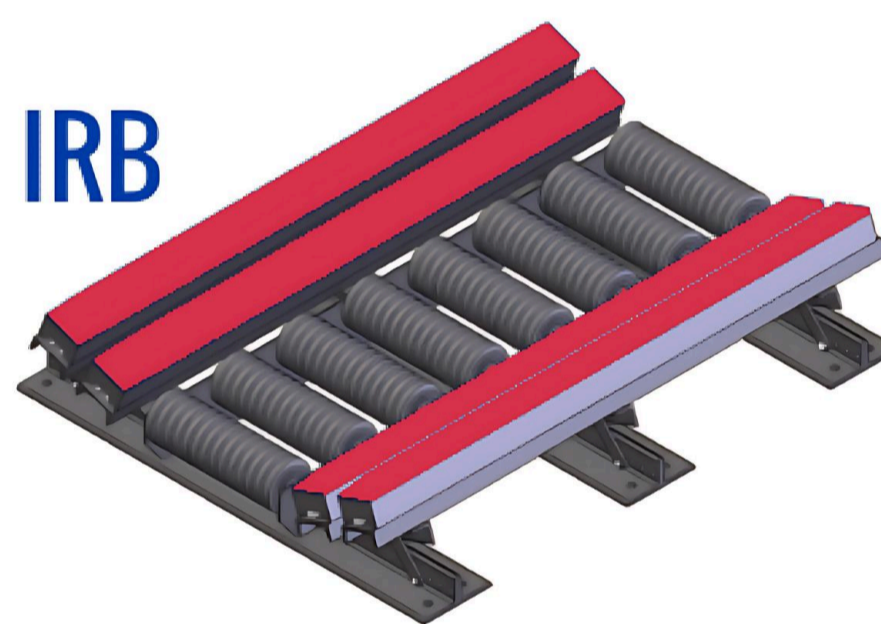
ISR



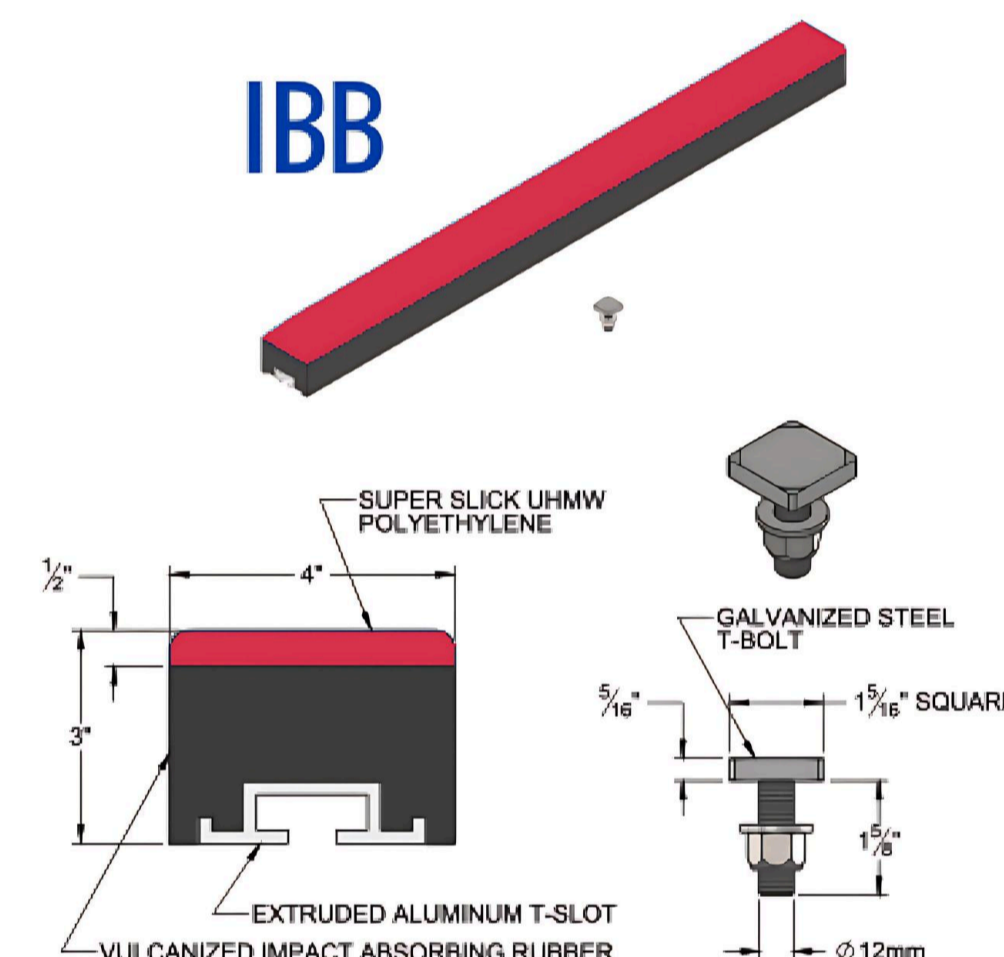
IFC



IRB



IBB



4 STOCKING
LOCATIONS

24-48 HOUR
DELIVERY



300 Industrial Park Drive,
Pell City, AL 35125 (U.S.A)

Visit us at douglasmanufacturing.com
Contact us 205-884-1200 or sales@douglasmanufacturing.com



DOUGLAS



MADE IN THE USA



SINCE 1978